

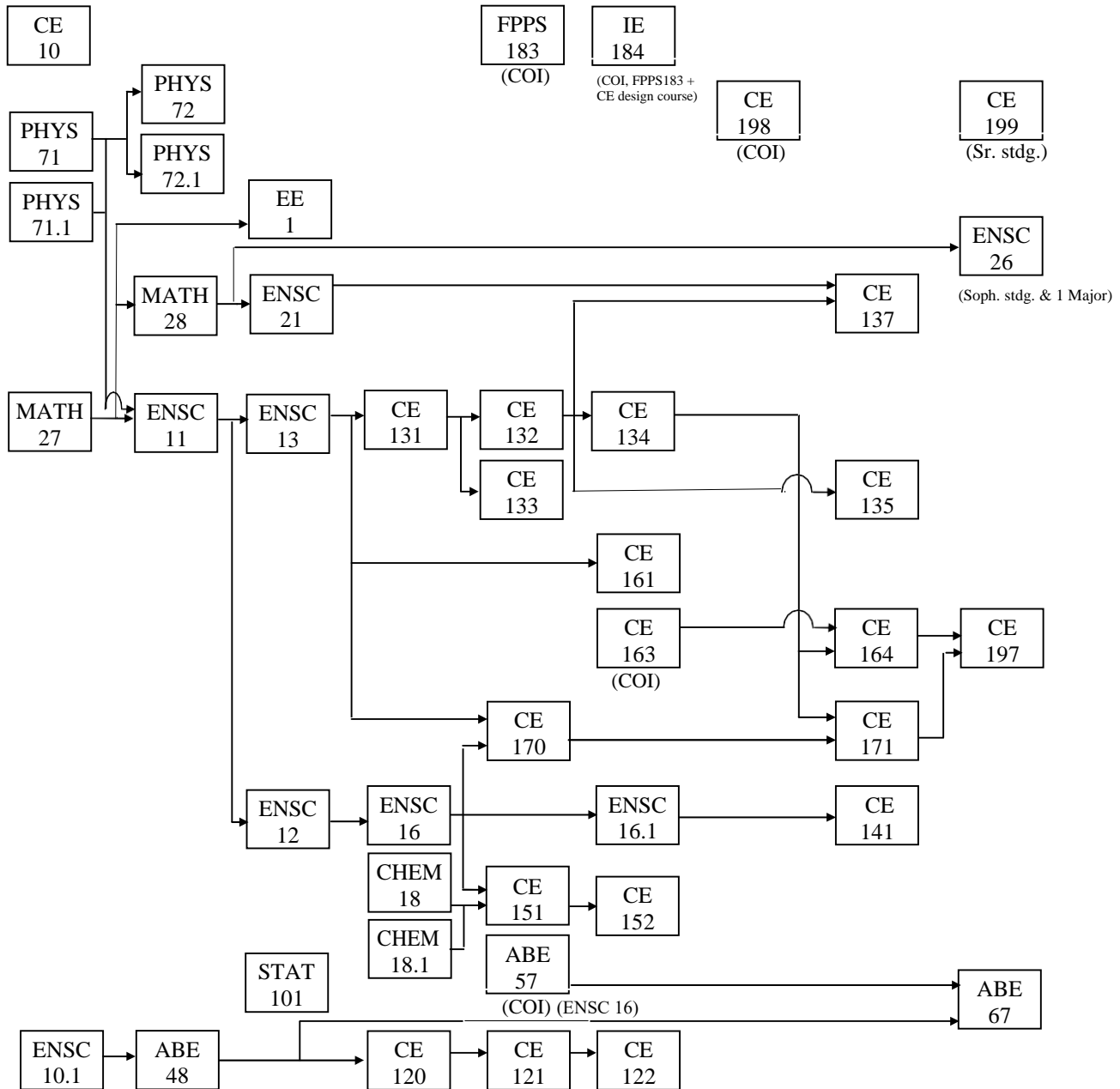
**BACHELOR OF SCIENCE IN CIVIL ENGINEERING**  
**Special UPLB UC Meeting 05 / 21-22 / 18; President's Approval 08/28/19**

First Semester		Units	Second Semester	Units	
<i>FIRST YEAR</i>					
ARTS 1	Critical Perspectives in the Arts	3	ABE 48	Fundamentals of Surveying	3
CE 10	Fundamentals of Civil Engineering	1	ENSC 11	Statics of Rigid Bodies	3
ENSC 10.1	Engineering Graphics Laboratory	2	MATH 28	Analytic Geometry and Calculus III	3
KAS 1/HIST 1	Kasaysayan ng Pilipinas/Philippine History	3	PHYS 72	University Physics II	4
MATH 27	Analytic Geometry and Calculus II	3	PHYS 72.1	University Physics II Laboratory	1
PHYS 71	University Physics I	4	STS 1	Science, Technology and Society	3
PHYS 71.1	University Physics I Laboratory	1	GE Elective*		3
HK 11	Wellness and Basic Injury Management	<u>(2)</u>	HK 12	Human Kinetics Activities	<u>(2)</u>
		17			20
<i>SECOND YEAR</i>					
EE 1	Basic Electrical Engineering	3	CHEM 18	University Chemistry	3
ENSC 12	Dynamics of Rigid Bodies	3	CHEM 18.1	University Chemistry Laboratory	2
ENSC 13	Strength of Materials	3	CE 120	Higher Surveying	3
ENSC 21	Mathematical Methods in Engineering	3	CE 131	Structural Analysis I	3
STAT 101	Statistical Methods	3	ENSC 16	Fluid Mechanics	3
GE Elective*		3	ETHICS 1	Ethics and Moral Reasoning in Everyday Life	3
GE Elective*		3	PI 10	The Life, Works, and Writings of Rizal	3
HK12/HK13	Human Kinetics Activities/ Advanced Human Kinetics Activities	<u>(2)</u>	HK12/HK13	Human Kinetics Activities/ Advanced Human Kinetics Activities	<u>(2)</u>
NSTP 1	National Service Training Program I	<u>(3)</u>	NSTP 2	National Service Training Program II	<u>(3)</u>
		21			20
<i>THIRD YEAR</i>					
ABE 57	Field Hydrology	3	CE 122	Transportation Engineering II	3
CE 121	Transportation Engineering I	3	CE 134	Design of Reinforced Concrete Members	4
CE 132	Structural Analysis II	3	CE 152	Sanitary Engineering II	3
CE 133	Design of Timber Members	3	CE 161	Construction Materials and Testing	3
CE 151	Sanitary Engineering I	3	CE 163	Civil Engineering Laws, Contracts and Ethics	2
CE 170	Geotechnical Engineering	3	ENSC 16.1	Fluid Mechanics Laboratory	2
FPPS 183	Engineering Economic Analysis	<u>3</u>	IE 184	Project Development and Management	<u>3</u>
		21			20
<i>MIDYEAR</i>					
			CE 198 Internship		<u>3</u>
					3
<i>FOURTH YEAR</i>					
CE 135	Design of Steel Members	3	ABE 67	Irrigation & Drainage Engineering I	3
CE 137	Structural Dynamics and Earthquake Engineering	3	CE 197	Civil Engineering Project Integration	3
CE 141	Hydraulic Engineering	3	CE 199	Undergraduate Seminar	1
CE 164	Construction Project Planning and Management	4	CE 200	Undergraduate Thesis or	
			CE 200b	Innovationeering	3
CE 171	Foundation Engineering	3	COMM 10	Critical Perspectives in Communication	3
CE 200	Undergraduate Thesis or		ENG 10	Writing of Scientific Papers	3
CE 200b	Innovationeering	<u>3</u>	ENSC 26	Computer Applications in Engineering	<u>3</u>
		19			19

**TOTAL NUMBER OF UNITS.....160**

# FLOWCHART OF THE FOUR-YEAR BSCE CURRICULUM

FIRST YEAR		SECOND YEAR		THIRD YEAR			FOURTH YEAR	
1 <sup>ST</sup> SEM	2 <sup>ND</sup> SEM	1 <sup>ST</sup> SEM	2 <sup>ND</sup> SEM	1 <sup>ST</sup> SEM	2 <sup>ND</sup> SEM	MIDYEAR	1 <sup>ST</sup> SEM	2 <sup>ND</sup> SEM



HIST 1/ KAS 1	STS 1	GE Elective	PI 10
ARTS 1	GE Elective	GE Elective	ETHICS 1

CE 200/200b (COI)	CE 200/200b (COI)
ENG 10 (Jr. stdg.)	

HK 11	HK 12	HK 12/13	HK 12/13
		NSTP 1	NSTP 2

COMM 10
------------